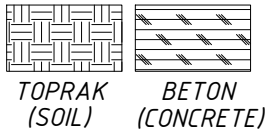
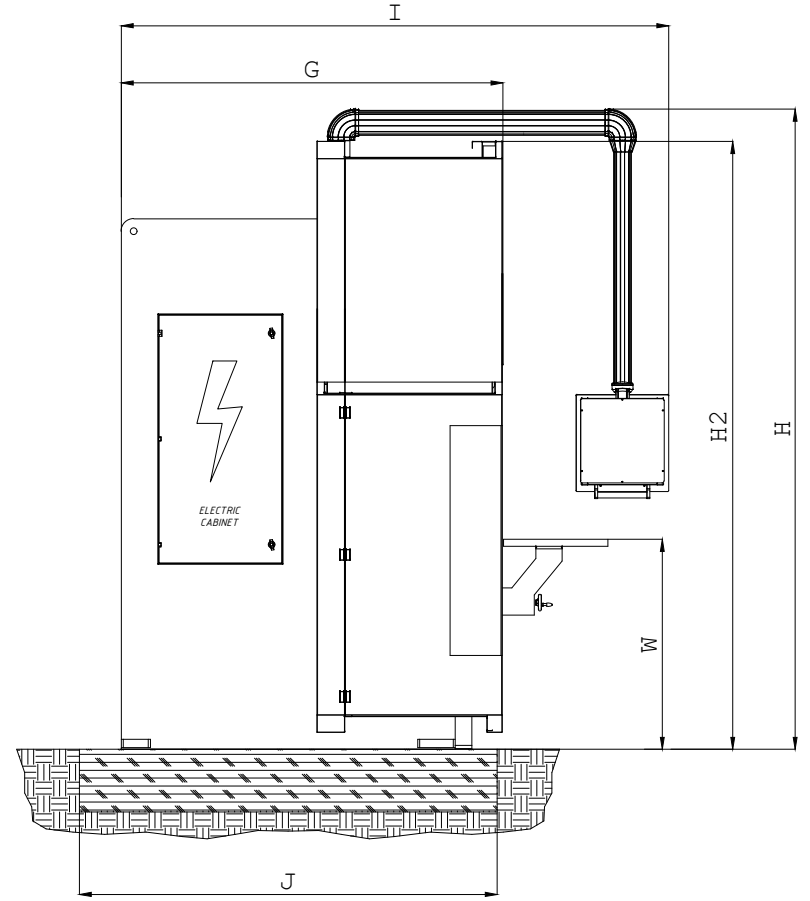
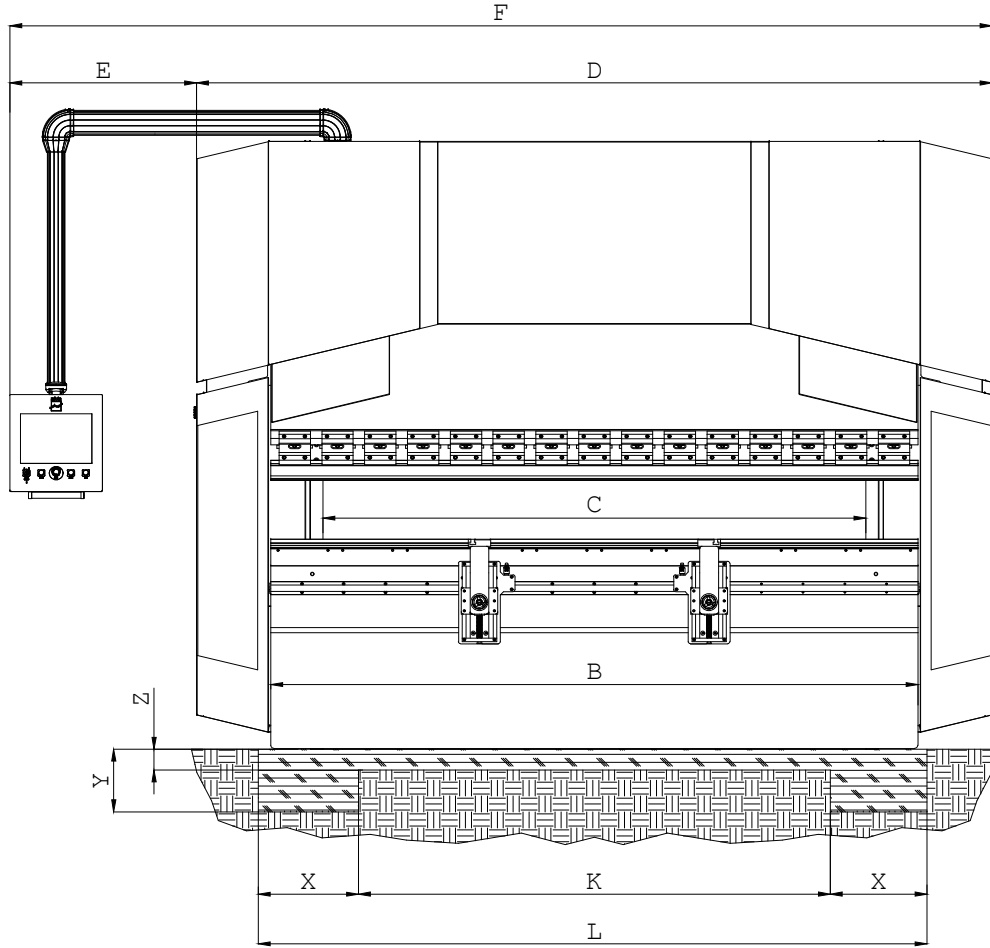


ARMoured CONCRETE PLAN

GENEL BOYUTLAR VE BETONARME PROJESİ



| | | | |
|------------|------------------|---------------|-------|
| Rev. No | ----- | Rev. Comments | |
| Rev. Date | ----- | | |
| Material | ----- | | |
| Page No | --/-- | | |
| Drawn by | Rifat Küçükdoğan | Tarih | |
| Checked by | Mustafa Gültekin | Tarih | |
| Drawing No | ----- | No | ----- |

A
FOUNDATION PLAN

